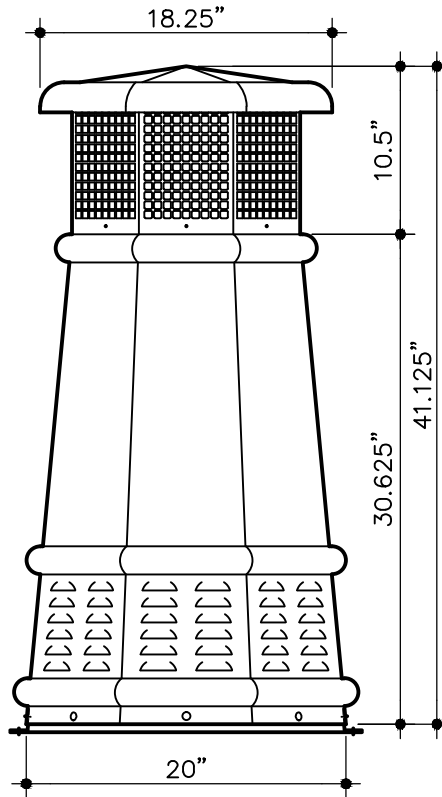


U.S. Patent Numbers:

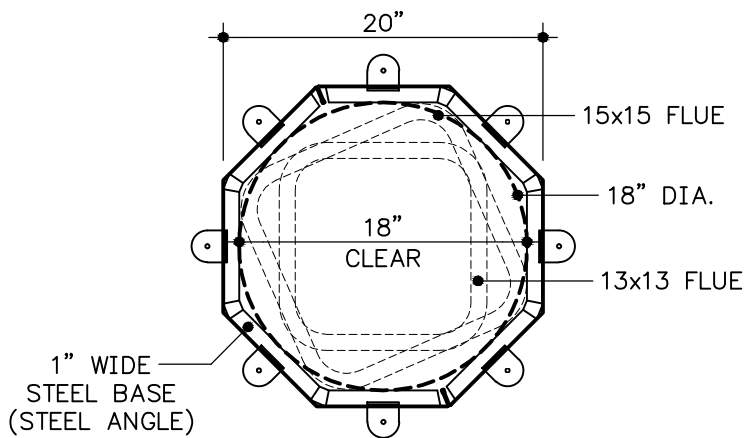
6,926,600

D535,010S

7,179,164



ELEVATION



FOOTPRINT

COPYRIGHT 2013



COPPER  
QUEEN  
EC-O-2039-1

EUROPEAN ATTIC P.O. BOX 14279 TULSA, OK. 74159-1279 800-632-9408

